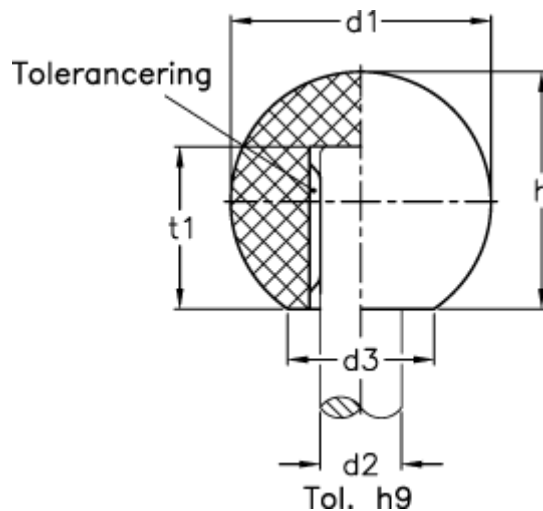


Article number: 20130175

Description: E+G Ball knob DIN 319-KU-32-B10-L

## Measures



$d1$	= 32
$d2$	= B10
$d3$ approx.	= 18
$h$	= 29.0
$t1$	= 20